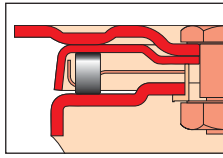


55
88



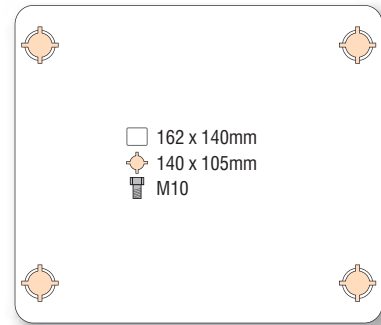
- Roller bearing swivel head
- Top plate fixing



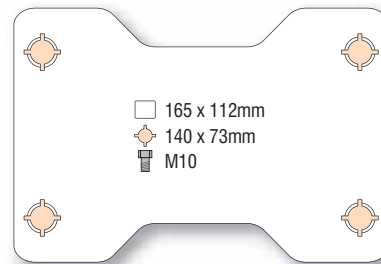
55 + NYLON WHEEL



Swivel



Fixed



wheel diameter	tread width	fitted height	swivel offset	load capacity	bearing type	swivel	fixed	swivel + total stop brake
150	38	197	36	520	roller	6 55 NYB	6 88 NYB	6 55 NYB SWB
200	38	246	50	605	roller	8 55 NYB	8 88 NYB	8 55 NYB SWB

NOTE: All dimensions are in mm and all loadings in kg unless otherwise stated