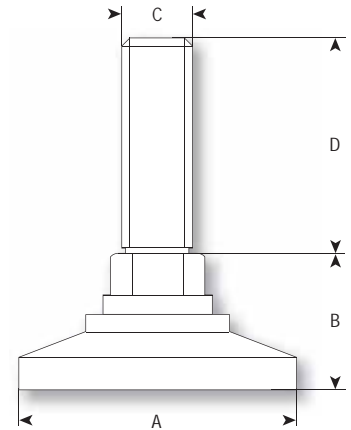


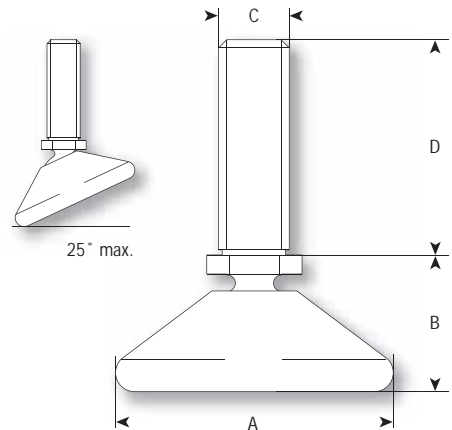


AF - RIGID DESIGN



A	B	C	D	load capacity	reference	for use with threaded socket
30	19	M10	45	1000	AFR 30 M10X45	AFS25X15M10, AFS30X15M10, AFS30X20M10 AFS114X18M10, AFS114X16M10
40	19	M10	45	1000	AFR 40 M10X45	AFS25X15M10, AFS30X15M10, AFS30X20M10 AFS114X18M10, AFS114X16M10
50	19	M10	45	1000	AFR 50 M10X45	AFS25X15M10, AFS30X15M10, AFS30X20M10 AFS114X18M10, AFS114X16M10

AF - TILTING DESIGN



A	B	C	D	load capacity	reference	for use with threaded socket
32	20	M8	25	75	AFT 32 M8X25	AFS1X18M8, AFS1X16M8, AFS118X18M8
40	20	M10	37	100	AFT 40 M10X37	AFS25X15M10, AFS30X15M10, AFS30X20M10 AFS114X18M10, AFS114X16M10
55	20	M10	50	250	AFT 55 M10X50	AFS25X15M10, AFS30X15M10, AFS30X20M10 AFS114X18M10, AFS114X16M10

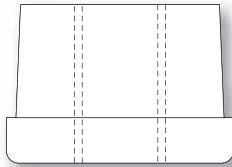
NOTE: All dimensions are in mm and all loadings in kg unless otherwise stated



VARLEY

○ Threaded tube end fittings for use with AF series adjustable levelling feet

ADJUSTABLE FEET
AF
SOCKETS



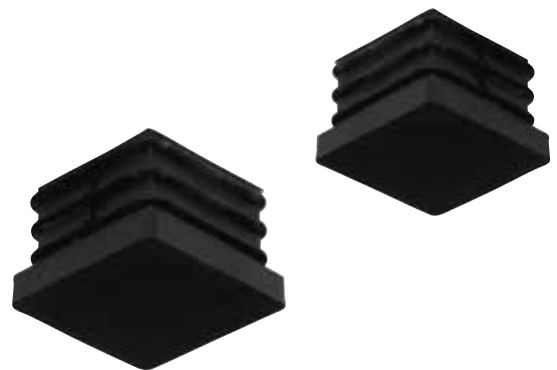
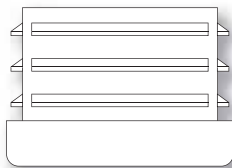
to suit tube	thread size	load capacity	reference	for use with foot
1" x 1" x 18g	M8	150	AFS 1X18 M8	AFT32M8X25
1" x 1" x 16g	M8	200	AFS 1X16 M8	AFT32M8X25
1 1/8" x 1 1/8" x 18g	M8	150	AFS 118X18 M8	AFT32M8X25
25 x 25 x 1.5mm	M10	200	AFS 25X15 M10	AFT40M10X37, AFT55M10X50, AFR30M10X45, AFR40M10X45, AFR50M10X45
30 x 30 x 1.5mm	M10	200	AFS 30X15 M10	AFT40M10X37, AFT55M10X50, AFR30M10X45, AFR40M10X45, AFR50M10X45
30 x 30 x 2.0mm	M10	200	AFS 30X20 M10	AFT40M10X37, AFT55M10X50, AFR30M10X45, AFR40M10X45, AFR50M10X45
1 1/4" x 1 1/4" x 18g	M10	250	AFS 114X18M10	AFT40M10X37, AFT55M10X50, AFR30M10X45, AFR40M10X45, AFR50M10X45
1 1/4" x 1 1/4" x 16g	M10	250	AFS 114X16M10	AFT40M10X37, AFT55M10X50, AFR30M10X45, AFR40M10X45, AFR50M10X45



VARLEY

○ Spring loaded ball transfer units
○ Press fit

TUBE END FITTINGS
EF



to suit tube	reference
3/4" x 3/4" x 18g/16g	EF 34
7/8" x 7/8" x 18g/16g	EF 78
1" x 1" x 18g/16g	EF 1
30 x 30 x 1.5/2.0mm	EF 30
1 1/4" x 1 1/4" x 18g/16g	EF 114

NOTE: All dimensions are in mm and all loadings in kg unless otherwise stated