

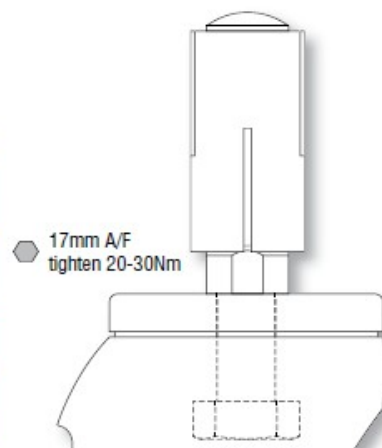
- o Contemporary design
- o Corrosion resistant polyamide construction
- o Expander fixing
- o Precision ball bearing in swivel head
- o Labyrinth seal for protection in wet conditions



**i** Only ball bearing wheels are fitted with threadguards

Expander sizes. Add to castor reference

internal size of tube	round	square
17		GKT-17X17
18	GKT-18	
22	GKT-22	GKT-22X22
25	GKT-25	
27		GKT-27X27
28	GKT-28	
37	GKT-37	GKT-37X37



TANGO + THERMOELASTIC RUBBER TYRED WHEEL WITH POLYPROPYLENE CENTRE - EXPANDER FIXING

wheel diameter	tread width	fitted height	swivel offset	shore A	load capacity	bearing type	swivel	fixed	swivel + total stop brake	swivel + directional lock
75	32	110	35.5	80	70	plain	MKT-75 PTE 80		MKT-J-75 PTE 80	
	32	110	35.5	80	70	ball	MKT-S-75 PTE/K 80		MKT-J-S-75 PTE/K 80	
100	32	141	45	55	70	plain	GKT-100 PTE 55		GKT-J-100 PTE 55	
	32	141	45	55	70	ball	GKT-S-100 PTE/K 55		GKT-J-S-100 PTE/K 55	
	32	141	45	80	100	ball	GKT-S-100 PTE/K 80		GKT-J-S-100 PTE/K 80	
	32	141	45	90	110	ball	GKT-S-100 PTE/K 90		GKT-J-S-100 PTE/K 90	
125	32	161	44.5	55	70	plain	GKT-125 PTE 55		GKT-J-125 PTE 55	
	32	161	44.5	55	70	ball	GKT-S-125 PTE/K 55		GKT-J-S-125 PTE/K 55	
	32	161	44.5	80	100	ball	GKT-S-125 PTE/K 80		GKT-J-S-125 PTE/K 80	
	32	161	44.5	90	110	ball	GKT-S-125 PTE/K 90		GKT-J-S-125 PTE/K 90	

TANGO + ELASTIC RUBBER TYRED WHEEL WITH NYLON CENTRE - EXPANDER FIXING

wheel diameter	tread width	fitted height	swivel offset	shore A	load capacity	bearing type	swivel	fixed	swivel + total stop brake	swivel + total stop brake
100	32	141	45	60	80	ball	GKT-S-100 NEK/K		GKT-J-S-100 NEK/K	
125	32	161	44.5	60	100	ball	GKT-S-125 NEK/K		GKT-J-S-125 NEK/K	

▶ SEALED, STAINLESS STEEL BEARING in swivel head. Includes stainless steel wheel bearing (for ball bearing wheels) and all other metal components in stainless steel except for expander bolt and nut.

Available on all 100, 125mm castors with 80 shore A.

Add -IX to castor reference.



**i** All dimensions are in mm and all loadings in kg unless otherwise stated