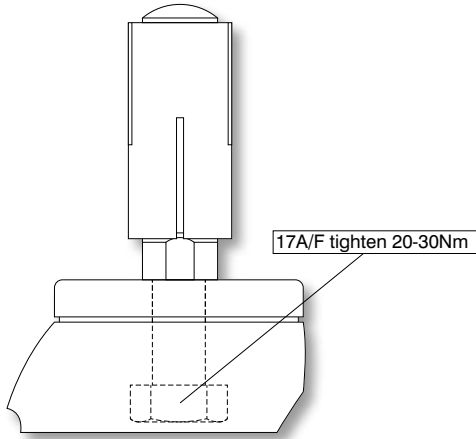


GKT | PTE | EXPANDER FIXING

GREY THERMOELASTIC RUBBER TYRED WHEEL WITH POLYPROPYLENE CENTRE



wheel diameter	tread width	fitted height	swivel offset	shore A	load capacity	bearing type	swivel	fixed	swivel + total-stop brake	swivel + directional lock
75	32	110	35.5	80	70	ball	GKT-S-75 PTE/K 80-G2		GKT-J-S-75 PTE/K 80-G2	
100	32	141	45	80	100	ball	GKT-S-100 PTE/K 80		GKT-J-S-100 PTE/K 80	
125	32	161	44.5	80	100	ball	GKT-S-125 PTE/K 80		GKT-J-S-125 PTE/K 80	

Expander sizes (add to castor reference)

internal size of tube	round	square
17		GKT-17X17
18	GKT-18	
22	GKT-22	GKT-22X22
25	GKT-25	
27		GKT-27X27
28	GKT-28	
37	GKT-37	GKT-37X37



STAINLESS STEEL. All metal components including swivel head and wheel bearings
Available on all 100, 125 diameter castors
Add **-IX** to castor reference



BUFFER. 90mm diameter thermoplastic rubber with polypropylene centre. Prevents damage to equipment and fabric of building
Fitted height increased by 5mm
Add **-BU** to castor reference

i All dimensions are in **mm** and all loadings are in **kg** unless otherwise stated