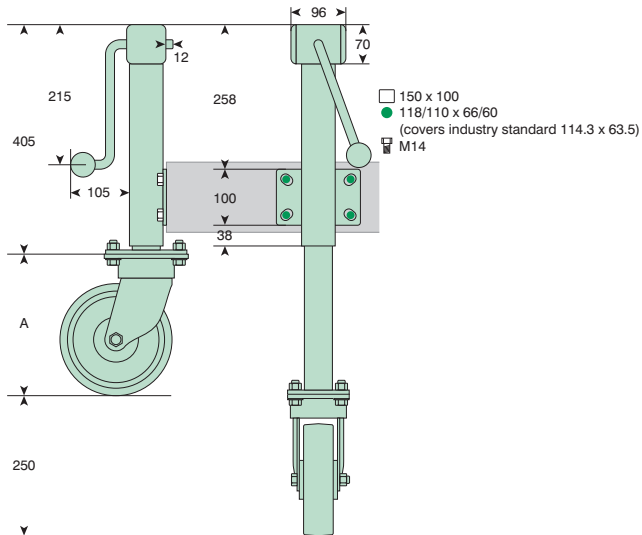


HVJA | PT | SIDE PLATE FIXING

POLYURETHANE TYRED WHEEL WITH CAST IRON CENTRE



	wheel diameter	tread width	A	swivel offset	load capacity	bearing type	swivel	fixed	swivel + total-stop brake
P	150	50	202	49	800	ball	HVJAPS-VSH150PTJ		
P	200	50	252	54	1000	ball	HVJAPS-VSH200PTJ		

ALTERNATIVE CASTORE TYPE / DIAMETER

HVJA jacking castors can be fitted with any castor with fixing hole centres of 105 x 80mm.

Please ask for details

P Preferred range product, see page 1 for details

i All dimensions are in **mm** and all loadings are in **kg** unless otherwise stated