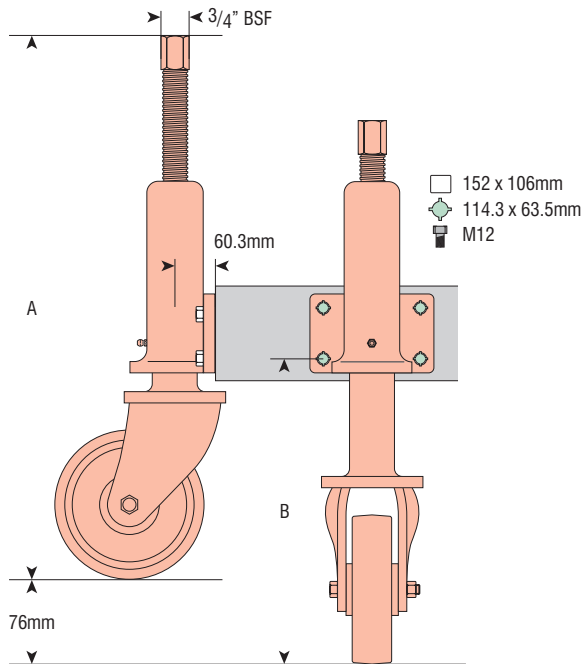




○ Side plate fitting

# JACKING heavy duty JA



### JA + Cast iron wheel

wheel diameter	tread width	A	B	swivel offset	load capacity	bearing type	swivel	fixed	swivel + total stop brake
							JA 6 CIB		
150	45	556	291	60	1020	roller	JA 6 CIB		
200	51	607	342	60	1090	roller	JA 8 CIB		

### JA + Rubber tyred wheel with cast iron centre

wheel diameter	tread width	A	B	swivel offset	load capacity	bearing type	swivel	fixed	swivel + total stop brake
							JA 6 RTB		
150	45	556	291	60	400	roller	JA 6 RTB		
200	51	607	342	60	585	roller	JA 8 RTB		

### JA + Polyurethane tyred wheel with cast iron centre

wheel diameter	tread width	A	B	swivel offset	load capacity	bearing type	swivel	fixed	swivel + total stop brake
							JA 6 SUB		
150	45	556	291	60	725	roller	JA 6 SUB		
200	51	607	342	60	1045	roller	JA 8 SUB		

NOTE: All dimensions are in mm and all loadings in kg unless otherwise stated