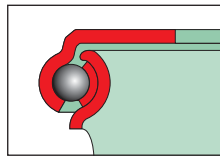


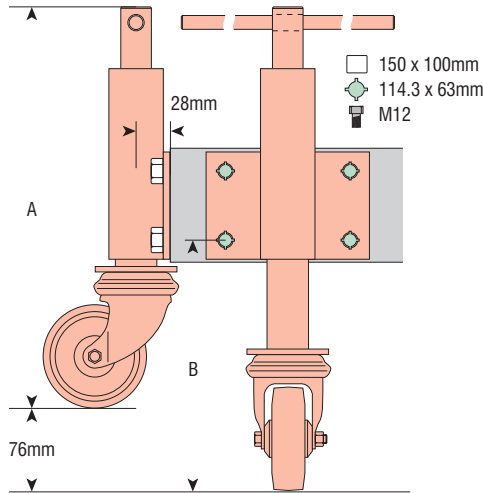


VARLEY



- Side plate fitting
- Supplied complete with 'tommy' bar

**JACKING**  
medium duty  
**JSC**



**JSC + Nylon wheel**

wheel diameter	tread width	A B		swivel offset	load capacity	bearing type	swivel		
		swivel	fixed				swivel + total stop brake		
75	35	350	213	36	160	plain	JSC 075 NY04		
	35	350	213	36	160	roller	JSC 075 NY14		
100	35	375	238	41	200	plain	JSC 100 NY04		
	35	375	238	41	200	roller	JSC 100 NY14		
125	35	400	263	43	200	plain	JSC 125 NY04		
	35	400	263	43	200	roller	JSC 125 NY14		
150	40	441	304	54	250	roller	JSC 150 NY15		
200	50	485	340	54	250	roller	JSC 200 NY15		

**JSC + Cast iron wheel**

wheel diameter	tread width	A B		swivel offset	load capacity	bearing type	swivel		
		swivel	fixed				swivel + total stop brake		
75	34	350	213	36	190	plain	JSC 075 CI04		
	34	350	213	36	190	roller	JSC 075 CI14		
100	38	375	238	41	200	plain	JSC 100 CI04		
	38	375	238	41	200	roller	JSC 100 CI14		
125	38	400	263	43	200	plain	JSC 125 CI04		
	38	400	263	43	200	roller	JSC 125 CI14		
150	45	441	304	54	250	roller	JSC 150 CI15		
200	45	485	340	54	250	roller	JSC 200 CI15		

**JSC + Rubber tyred wheel with cast iron centre**

wheel diameter	tread width	A B		swivel offset	load capacity	bearing type	swivel		
		swivel	fixed				swivel + total stop brake		
75	32	350	213	36	80	plain	JSC 075 RU04		
100	35	375	238	41	135	plain	JSC 100 RU04		
	35	375	238	41	135	roller	JSC 100 RU14		
125	38	400	263	43	160	plain	JSC 125 RU04		
	38	400	263	43	160	roller	JSC 125 RU14		
150	45	441	304	54	250	roller	JSC 150 RU15		
200	50	485	340	54	250	roller	JSC 200 RU15		

**JSC + Polyurethane tyred wheel with cast iron centre**

wheel diameter	tread width	A B		swivel offset	load capacity	bearing type	swivel		
		swivel	fixed				swivel + total stop brake		
75	25	350	213	36	175	plain	JSC 075 PT04		
	25	350	213	36	175	roller	JSC 075 PT14		
100	29	375	238	41	200	plain	JSC 100 PT04		
	29	375	238	41	200	roller	JSC 100 PT14		
125	32	400	263	43	200	plain	JSC 125 PT04		
	32	400	263	43	200	roller	JSC 125 PT14		
150	38	441	304	54	250	roller	JSC 150 PT15		
200	45	485	340	54	250	roller	JSC 200 PT15		

NOTE: All dimensions are in mm and all loadings in kg unless otherwise stated