

# TURNTABLES

## L N

- L series turntables are suitable for farm carts and trailers with a speed up to 25kmh (15mph)
- N series turntables are suitable for heavy farm carts and light truck trailers with a speed above 25kmh (15mph)
- L and N series turntables are not suitable for mechanical handling applications

VARLEY



### General information

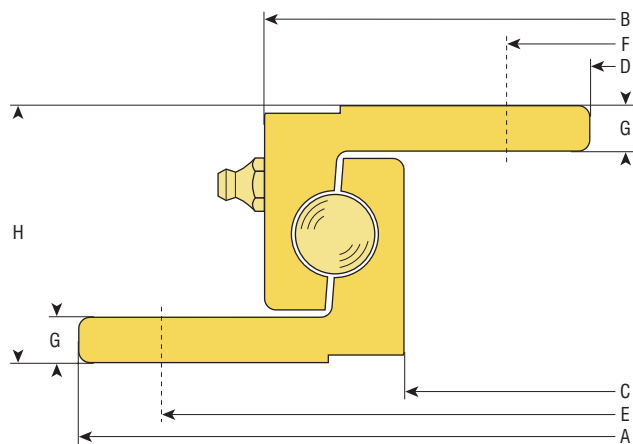
For turntables which will be used in a mechanical handling application see the KDL series on page 30.

Turntables are supplied undrilled and primed for corrosion protection.

Measurements are subject to the manufacturer's standard tolerances.

In the case of speeds below 30km/h (18 mph) the axial loads may be exceeded by 30% to 50%.

Load capacities given are only valid for operation on paved roads and under conditions prevailing in Europe.



## L TURNTABLES

A	B	C	D	E*	F*	G	H	approximate weight	load cap. (tonnes)	reference
400	342	292	230	375	260	8	45	11	0.75	400L
500	442	392	330	475	360	8	45	15	0.90	500L
650	592	542	480	625	510	8	45	20	1.50	650L
750	692	642	580	725	610	8	45	23	1.80	750L
850	792	742	680	825	710	8	45	27	2.50	850L
950	892	842	780	925	810	8	45	30	3.00	950L
1050	992	942	880	1025	910	8	45	34	3.50	1050L

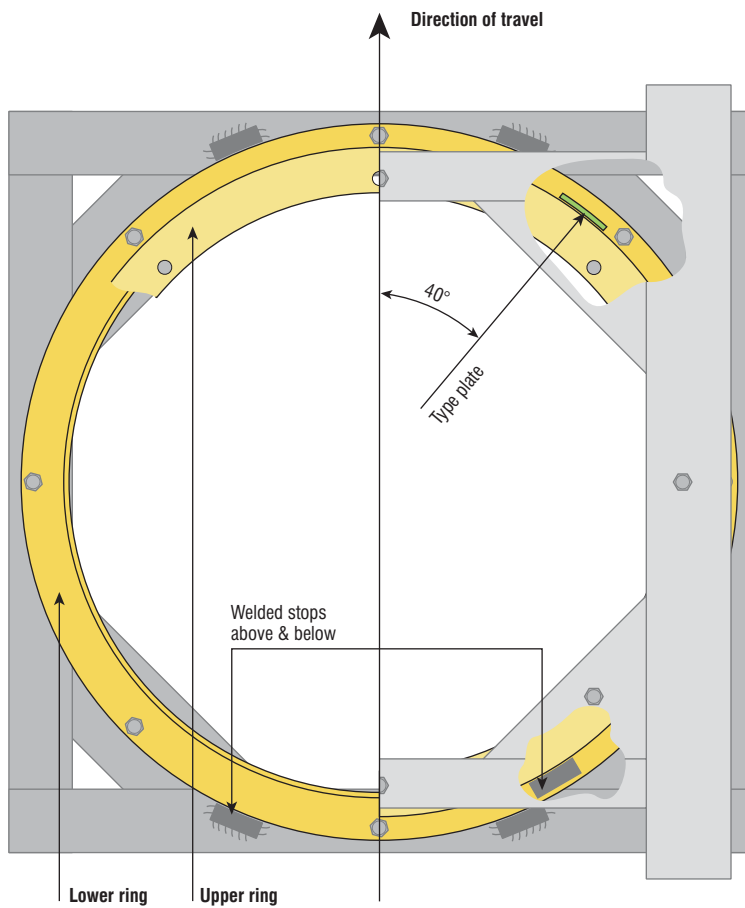
\* Recommended drilling measurements

## N TURNTABLES

A	B	C	D	E*	F*	G	H	approximate weight	load cap. (tonnes)	reference
500	437	384	315	475	340	8	52	17	1.80	500N
650	587	534	465	625	490	8	52	23	2.50	650N
750	687	634	565	725	590	8	52	28	3.00	750N
850	787	734	665	825	690	8	52	32	3.50	850N
950	887	834	765	925	790	8	52	36	4.00	950N
1050	987	934	865	1025	890	8	52	40	4.5	1050N

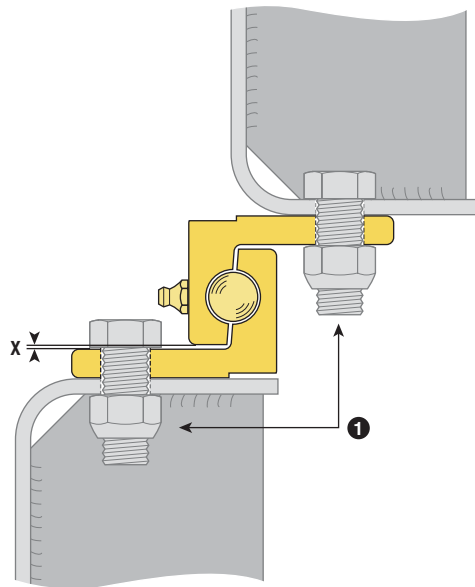
\* Recommended drilling measurements

NOTE: All dimensions are in mm and all loadings in kg unless otherwise stated



#### Fitting and maintenance instructions

1. The ball bearing turntable must be mounted on a completely flat and rigid base with at least 50% of the circumference adequately supported. Particular attention must be paid to the support of the web section area containing the ball bearing races. Any unevenness under the flanges can be corrected with metal strips or by filling in with plastic metal.
2. Each flange must be attached with a minimum of 8 high tensile bolts grade 8.8, preferably M10 x 1.25 or M12 x 1.5 for sizes below 650mm dia. 4 to 6 bolts are adequate.  
  
Do not drill in the area of the type plate (ball insertion hole) which should be located at less than 40° to the direction of travel.
3. To ease the shear load on the mounting bolts in the case of horizontal force at least 4 blocks should be welded on immediately adjoining each flange. The ball bearing turntable must not be mounted by means of welding.
4. The turntables are lubricated with a lubricant suitable for the type of operation and the the adherent operating conditions before they leave the factory, however the turntable must be adequately re-lubricated before the trailer is put into operation for the first time. The re-lubrication should build up a collar of grease in the gap between the 2 rings of the turntable thus preventing ingress of grit and water into the ball races.
5. The ball bearing turntable must be lubricated according to use but at least once a month with a lubricant suitable for the type of operation and the adherent operating condition. While lubricating the A-frame should be turned so that the grease is evenly distributed and a collar of grease is being built up in the gap between the two rings. The tightness of the mounting bolts should also be checked.
6. Ball bearing turntables are subject to wear. The limit of wear is reached when the axial play is 2.5mm. This is at the latest the case when the air gap  $X = 0\text{mm}$  at any point on the circumference of the turntable.



- ① Alternative mounting with head of bolt underneath counter nut also admissible

NOTE: All dimensions are in mm and all loadings in kg unless otherwise stated