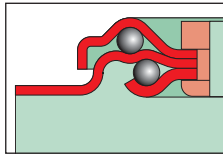


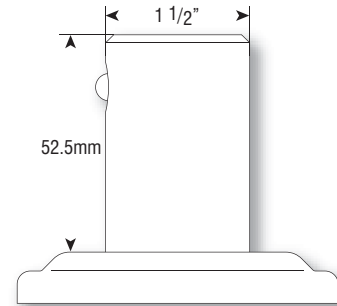
SCAFFOLDING SJE



- Mounted by means of a round solid plug, retained in tube by a single spring plunger
- Conforming to DIN4422:HD1004:8/92 and BS1139, part 3 1994 HD1004:1992
- Featuring zero-offset brake design

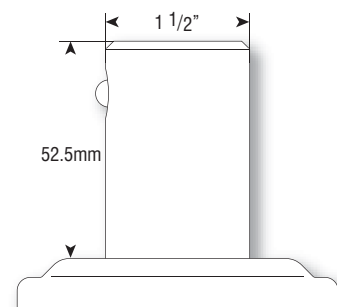


SJE + NYLON WHEEL



wheel diameter	tread width	fitted height	swivel offset	SWL static	bearing type	swivel	swivel + single sided brake pedal	swivel + double sided brake pedal
125	40	160		500	plain		SJE 125 NY0G B21 BX4	SJE 125 NY0G B21 B
150	45	190		820	plain		SJE 150 NY05 B21 BX4	SJE 150 NY05 B21 B
200	50	240		820	plain		SJE 200 NY05 B21 BX4	SJE 200 NY05 B21 B

SJE + POLYURETHANE TYRED WHEEL WITH NYLON CENTRE



wheel diameter	tread width	fitted height	swivel offset	SWL static	bearing type	swivel	swivel + single sided brake pedal	swivel + double sided brake pedal
125	45	160		600	plain		SJE 125 NTOE B21 BX4	SJE 125 NTOE B21 B
150	45	190		600	plain		SJE 150 NTOE B21 BX4	SJE 150 NTOE B21 B
200	55	240		820	plain		SJE 200 NTOE B21 BX4	SJE 200 NTOE B21 B

NOTE: All dimensions are in mm and all loadings in kg unless otherwise stated