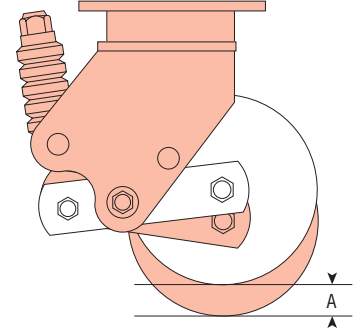


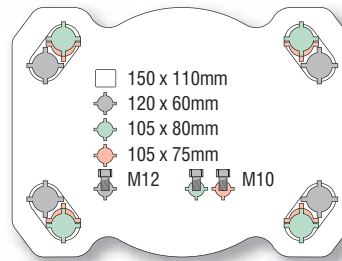
○ Disc spring loaded shock absorbing castors

SHOCK ABSORBING

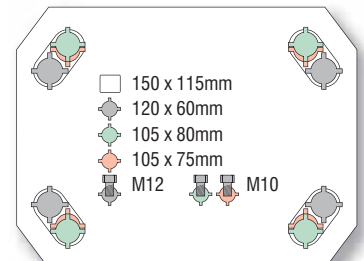
SSH
SFH



swivel



Fixed



SSH + Rubber tyred wheel with cast iron centre

wheel diameter	tread width	fitted height	swivel offset	load capacity	A	bearing type	swivel	fixed	swivel + total stop brake	
125	40	235	65	100	25	ball	SSH 125 RU2H KG0	SFH 125 RU2H KG0		
	150	45	248	58	100	25	ball	SSH 150 RU2H KG0	SFH 150 RU2H KG0	
		45	248	58	200	25	ball	SSH 150 RU2H KG1	SFH 150 RU2H KG1	
200	45	248	58	300	22	ball	SSH 150 RU2H KG2	SFH 150 RU2H KG2		
	200	50	273	59	100	25	ball	SSH 200 RU2H KG0	SFH 200 RU2H KG0	
		50	273	59	200	25	ball	SSH 200 RU2H KG1	SFH 200 RU2H KG1	
		50	273	59	300	22	ball	SSH 200 RU2H KG2	SFH 200 RU2H KG2	
		50	273	59	370	22	ball	SSH 200 RU2H KG3	SFH 200 RU2H KG3	

SSH + Polyurethane tyred wheel with cast iron centre

wheel diameter	tread width	fitted height	swivel offset	load capacity	A	bearing type	swivel	fixed	swivel + total stop brake	
125	38	235	65	100	25	ball	SSH 125 PT2H KG0	SFH 125 PT2H KG0		
	150	38	235	65	200	25	ball	SSH 125 PT2H KG1	SFH 125 PT2H KG1	
		38	235	65	300	22	ball	SSH 125 PT2H KG2	SFH 125 PT2H KG2	
150	38	248	58	100	25	ball	SSH 150 PT2H KG0	SFH 150 PT2H KG0		
	150	38	248	58	200	25	ball	SSH 150 PT2H KG1	SFH 150 PT2H KG1	
		38	248	58	300	22	ball	SSH 150 PT2H KG2	SFH 150 PT2H KG2	
	150	38	248	58	370	22	ball	SSH 150 PT2H KG3	SFH 150 PT2H KG3	
		38	248	58	490	25	ball	SSH 150 PT2H KG4	SFH 150 PT2H KG4	
		38	248	58	600	22	ball	SSH 150 PT2H KG5	SFH 150 PT2H KG5	
	200	45	273	59	100	25	ball	SSH 200 PT2H KG0	SFH 200 PT2H KG0	
200		45	273	59	200	25	ball	SSH 200 PT2H KG1	SFH 200 PT2H KG1	
		45	273	59	300	22	ball	SSH 200 PT2H KG2	SFH 200 PT2H KG2	
200		45	273	59	370	22	ball	SSH 200 PT2H KG3	SFH 200 PT2H KG3	
		45	273	59	490	25	ball	SSH 200 PT2H KG4	SFH 200 PT2H KG4	
45		273	59	600	22	ball	SSH 200 PT2H KG5	SFH 200 PT2H KG5		
200	45	273	59	740	22	ball	SSH 200 PT2H KG6	SFH 200 PT2H KG6		

NOTE: All dimensions are in mm and all loadings in kg unless otherwise stated