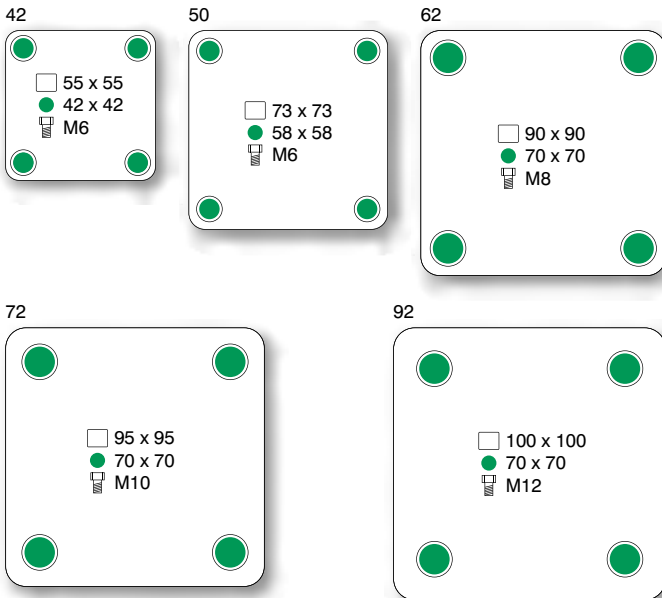


## V95A | NY | PLATE FIXING

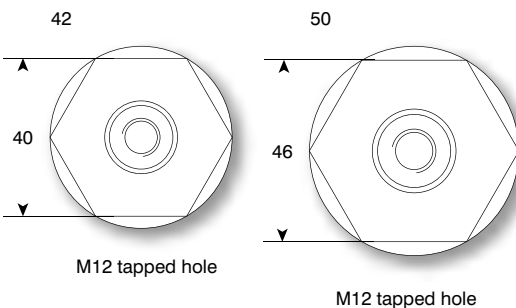
BLACK NYLON WHEEL (SIZES 42 - 72MM); BLUE NYLON WHEEL (SIZE 92MM)



wheel diameter	tread width	fitted height min	fitted height max	swivel offset	load capacity	bearing type	swivel	fixed	swivel + total-stop brake
42	18	71	81	32	50	plain	V95A 042 NYP PX1		
50	22	83	93	36.5	300	plain	V95A 050 NYP PX2		
62	29	102	117	46	600	plain	V95A 062 NYP PX3		
72	31	120	138	52	1000	plain	V95A 072 NYP PX4		
	31	121	139	55	1300	plain	V95A 072 NYP PX4 HD		
92	54	130	155	69	1800	plain	V95A 092 NYP PX5		

## V95A | NY | TAPPED HOLE FIXING

BLACK NYLON WHEEL



wheel diameter	tread width	fitted height min	fitted height max	swivel offset	load capacity	bearing type	swivel	fixed	swivel + total-stop brake
42	18	71	81	32	50	plain	V95A 042 NYP T12		
50	22	83	93	36.5	300	plain	V95A 050 NYP T12		

**i** All dimensions are in mm and all loadings are in kg unless otherwise stated