

	wheel diameter	tread width	hub width	bore diameter	load capacity	plain bore	roller bearing *	ball bearing **
<b>P</b>	330	70	66	1"	300	VBW 330-1		
<b>P</b>		70	63	1"	300		VBW 330-1RB	
<b>P</b>		70	83	1"	300			VBW 330-1BB
<b>P</b>	350	75	66	1"	400	VBW 355-1		
<b>P</b>		75	63	1"	400		VBW 355-1RB	
<b>P</b>		75	83	1"	400			VBW 355-1BB
<b>P</b>	400	90	66	1"	600	VBW 405-1		
<b>P</b>		90	63	1"	600		VBW 405-1RB	
<b>P</b>		90	83	1"	600			VBW 405-1BB
<b>P</b>	450	115	75	30	1100			VBW 455-30BB
<b>P</b>		115	75	35	1100			VBW 455-35BB

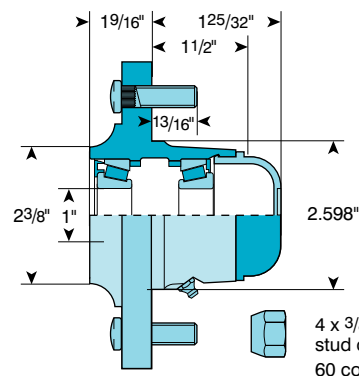


**i** \* 25 i.d. roller bearing available, change 1RB to 25RB in wheel reference  
 \*\* Ball bearing wheels are black centred except for 455mm diameter - white centred

## VBW | 4 STUD FIXING

SUPPLIED WITH OR WITHOUT HUB

wheel diameter	tread width	hub width	bore diameter	load capacity	wheel without hub	wheel with hub	hub only c/w cap
400	90	-	-	345	VBW 405-4		
	90	see drawing		345		VBW 405-4 1TM	
-	-	see drawing		-			HUBTM1



**P** Preferred range product, see page 1 for details

**i** All dimensions are in mm and all loadings are in kg unless otherwise stated