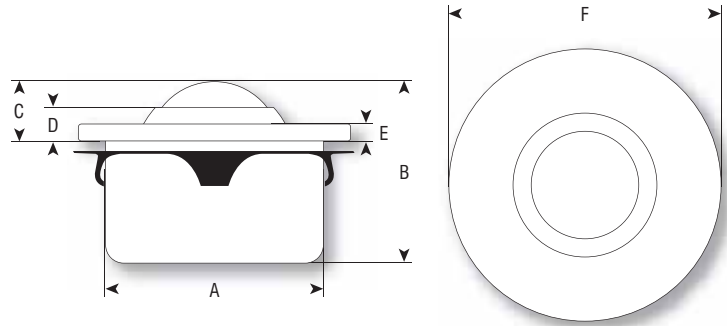


BALL TRANSFER UNITS

V TYPE F

- Ball transfer units with circular flange and spring clip fixing
- Available with mild steel, nylon or stainless steel ball

VARLEY



ball diameter							units with mild steel ball			units with nylon ball			completely stainless units		
	A	B	C	D	E	F	load ball up	load ball down	reference	load ball up	load ball down	reference	load ball up	load ball down	reference
15	24	21.0	9.5	6.3	2.8	31	25	10	V15F	20	n/a	V15F NY	25	10	V15F SS
22	36	30.0	9.8	5.5	2.8	45	55	25	V22F	25	n/a	V22F NY	55	25	V22F SS
30	45	37.0	13.8	8.3	4.0	55	125	55	V30F			V30FNY			V30F SS
45	62	53.5	19.0	10.0	4.0	75	140	60	V45F				140	60	V45F SS

NOTE: All dimensions are in mm and all loadings in kg unless otherwise stated