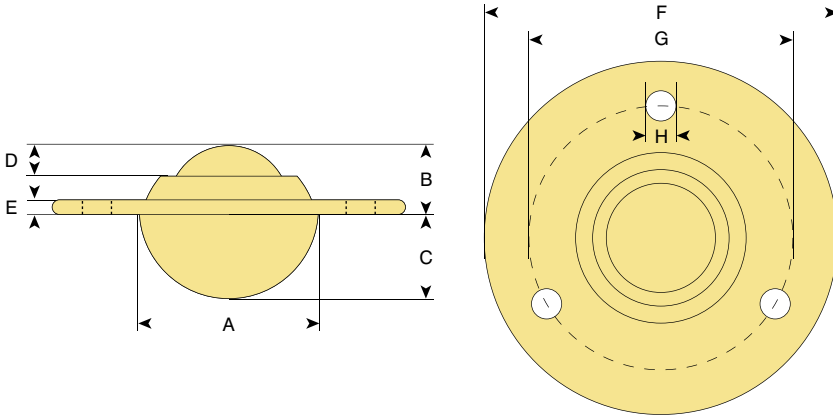


V | TYPE C | CIRCULAR FLANGE FIXING

MILD STEEL, NYLON OR STAINLESS STEEL BALL



UNITS WITH MILD STEEL BALL

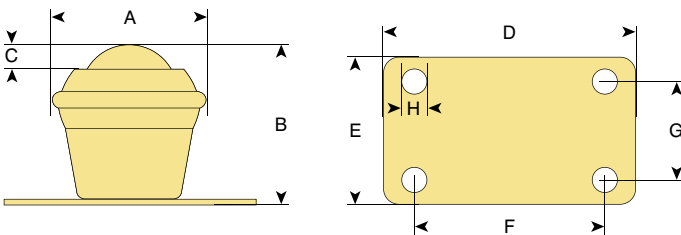
UNITS WITH NYLON BALL

COMPLETELY STAINLESS

ball dia.	A	B	C	D	E	F	G	H	UNITS WITH MILD STEEL BALL			UNITS WITH NYLON BALL			COMPLETELY STAINLESS		
									ball up load	ball down load	ref	ball up load	ball down load	ref	ball up load	ball down load	ref
19	29.1	10.0	12.0	3.2	3.2	61.0	44.5	5.1	25	10	V19C	20	10	V19C NY	25	10	V19C SS
25	37.2	14.2	15.8	6.3	3.5	73.0	55.6	5.1	55	25	V25C	25	10	V25C NY	55	25	V25C SS
31	45.5	16.2	19.9	8.0	4.2	73.7	58.7	5.1	125	55	V31C				125	55	V31C SS
40	55.6	21.4	24.6	8.7	6.0	89.0	70.0	7.0	140	60	V40C				140	60	V40C SS
50	75.3	28.3	30.2	14.3	6.3	120.7	92.0	8.0	340	100	V50C				340	100	V50C SS

V | TYPE D | PLATE FIXING

MILD STEEL, NYLON OR STAINLESS STEEL BALL



UNITS WITH MILD STEEL BALL

UNITS WITH NYLON BALL

COMPLETELY STAINLESS

ball dia.	A	B	C	D	E	F	G	H	UNITS WITH MILD STEEL BALL			UNITS WITH NYLON BALL			COMPLETELY STAINLESS		
									ball up load	ball down load	ref	ball up load	ball down load	ref	ball up load	ball down load	ref
19	32.1	32.5	4.7	65.0	38.0	49.2	25.4	6.3	25	10	V19D	20	10	V19D NY			
25	39.7	41.3	6.3	65.0	38.0	49.2	25.4	6.3	55	25	V25D	25	10	V25D NY	55	25	V25D SS
31	73.0	44.4	8.0	58.7	58.7	47.6	47.6	4.8	125	55	V31D				125	55	V31D SS
40	55.5	57.0	11.9	58.7	58.7	47.6	47.6	4.8	140	60	V40D				140	60	V40D SS

i All dimensions are in mm and all loadings are in kg unless otherwise stated