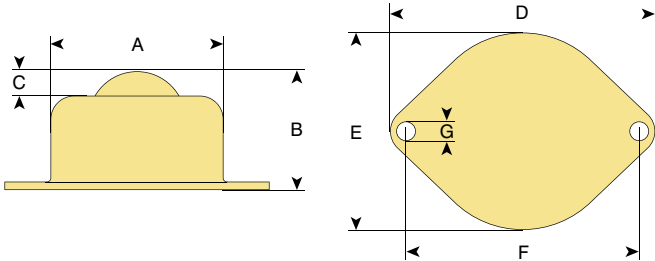


V | TYPE E | ELLIPTICAL PLATE FIXING

MILD STEEL, NYLON OR STAINLESS STEEL BALL



UNITS WITH
MILD STEEL BALL

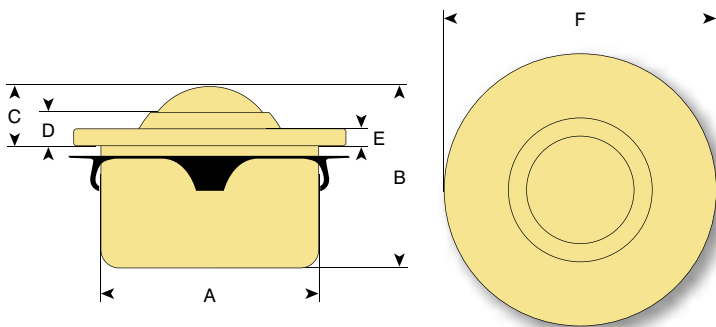
UNITS WITH
NYLON BALL

COMPLETELY
STAINLESS

| ball dia. | A | B | C | D | E | F | G | UNITS WITH MILD STEEL BALL | | | UNITS WITH NYLON BALL | | | COMPLETELY STAINLESS | | |
|--------------|------|------|-----|------|------|-------|-----|----------------------------|-------------------|------|-----------------------|-------------------|---------|----------------------|-------------------|---------|
| | | | | | | | | ball up load | ball down load | ref | ball up load | ball down load | ref | ball up load | ball down load | ref |
| 25 | 44.5 | 30.5 | 6.3 | 69.0 | 51.0 | 60.32 | 5.0 | 55 | 25 | V25E | 25 | 10 | V25E NY | 55 | 25 | V25E SS |

V | TYPE F | FLANGE & SPRING CLIP FIXING

MILD STEEL, NYLON OR STAINLESS STEEL BALL



UNITS WITH
MILD STEEL BALL

UNITS WITH
NYLON BALL

COMPLETELY
STAINLESS

| ball dia. | A | B | C | D | E | F | UNITS WITH MILD STEEL BALL | | | UNITS WITH NYLON BALL | | | COMPLETELY STAINLESS | | |
|--------------|------|------|------|------|-----|------|----------------------------|-------------------|------|-----------------------|-------------------|---------|----------------------|-------------------|---------|
| | | | | | | | ball up load | ball down load | ref | ball up load | ball down load | ref | ball up load | ball down load | ref |
| 15 | 24.0 | 21.0 | 9.5 | 6.3 | 2.8 | 31.0 | 60 | 30 | V15F | 10 | 5 | V15F NY | 38 | 19 | V15F SS |
| 22 | 36.0 | 30.0 | 9.8 | 5.5 | 2.8 | 45.0 | 160 | 80 | V22F | 20 | 10 | V22F NY | 100 | 50 | V22F SS |
| 30 | 45.0 | 37.0 | 13.8 | 8.3 | 4.0 | 55.0 | 300 | 150 | V30F | 25 | 12 | V30F NY | 200 | 100 | V30F SS |
| 45 | 62.0 | 53.5 | 19.0 | 10.0 | 4.0 | 75.0 | 610 | 305 | V45F | | | | 250 | 125 | V45F SS |

V | TYPE G

MILD STEEL BALL |
PRESS FIT |
SPRING LOADED



Full details available to download
V | G

V | TYPE H

MILD STEEL BALL |
PRESS FIT



Full details available to download
V | H

V | TYPE J

MILD STEEL BALL |
THREAD FIXING



Full details available to download
V | J

All dimensions are in mm and all loadings are in kg unless otherwise stated