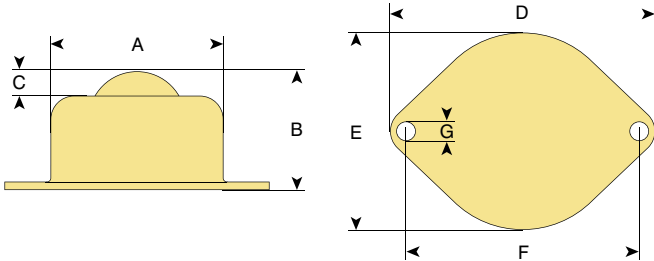


V | TYPE E | ELLIPTICAL PLATE FIXING

MILD STEEL, NYLON OR STAINLESS STEEL BALL



UNITS WITH
MILD STEEL BALL

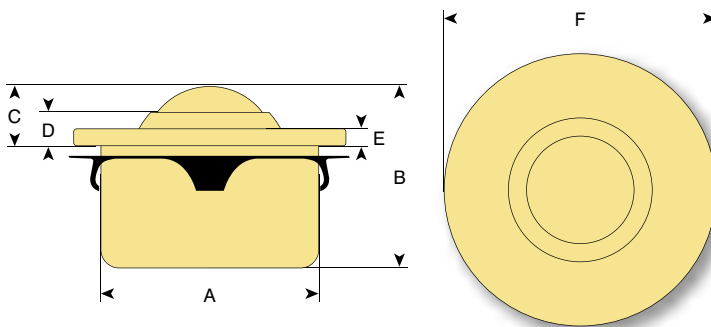
UNITS WITH
NYLON BALL

COMPLETELY
STAINLESS

ball dia.	A	B	C	D	E	F	G	UNITS WITH MILD STEEL BALL			UNITS WITH NYLON BALL			COMPLETELY STAINLESS		
								ball up load	ball down load	ref	ball up load	ball down load	ref	ball up load	ball down load	ref
25	44.5	30.5	6.3	69.0	51.0	60.32	5.0	55	25	V25E	25	10	V25E NY	55	25	V25E SS

V | TYPE F | FLANGE & SPRING CLIP FIXING

MILD STEEL, NYLON OR STAINLESS STEEL BALL



UNITS WITH
MILD STEEL BALL

UNITS WITH
NYLON BALL

COMPLETELY
STAINLESS

ball dia.	A	B	C	D	E	F	UNITS WITH MILD STEEL BALL			UNITS WITH NYLON BALL			COMPLETELY STAINLESS		
							ball up load	ball down load	ref	ball up load	ball down load	ref	ball up load	ball down load	ref
15	24.0	21.0	9.5	6.3	2.8	31.0	60	30	V15F	10	5	V15F NY	38	19	V15F SS
22	36.0	30.0	9.8	5.5	2.8	45.0	160	80	V22F	20	10	V22F NY	100	50	V22F SS
30	45.0	37.0	13.8	8.3	4.0	55.0	300	150	V30F	25	12	V30F NY	200	100	V30F SS
45	62.0	53.5	19.0	10.0	4.0	75.0	610	305	V45F				250	125	V45F SS

V | TYPE G

MILD STEEL BALL |
PRESS FIT |
SPRING LOADED



Full details available to download
V | G

V | TYPE H

MILD STEEL BALL |
PRESS FIT



Full details available to download
V | H

V | TYPE J

MILD STEEL BALL |
THREAD FIXING



Full details available to download
V | J

All dimensions are in mm and all loadings are in kg unless otherwise stated