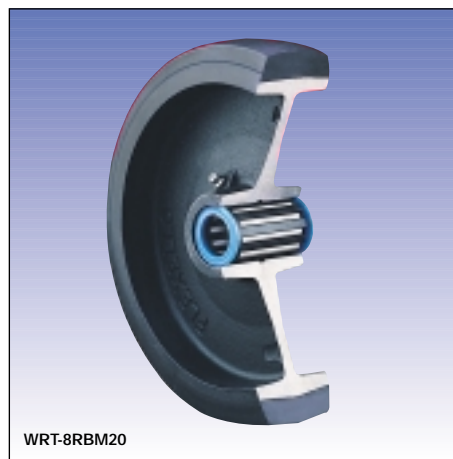


Cast Iron Centre, Rubber Tyre

- Centre: Cast iron.
- Tyre: Rubber.
- Finish: Black centre, Black tyre.



WRT series



whl dia	tread width	load cap	bore dia	hub width	plain bore	roller bearing	ball bearing	taper roller bearing	used in castor series
					ref	ref	ref	ref	
100	43	160	15	48		WRT-4RBM15			61/88, SL/SLF
125	38	180	15	48	WRT-5M15	WRT-5RBM15			61/88, 22/29, 91/99, SL/SLF
150	45	400	20	60	WRT-6M20	WRT-6RBM20			61/88, 22/29, 55/88, SL/SLF, GT/GTF, KV/KVF, JA
	45	400	25	60		WRT-6RBM25			
	45	400	25.4	60	WRT-6L	WRT-6LRB			
	45	400	12	61			WRT-6BJM12*		22/29, 55/88, SL/SLF, GT/GTF, KV/KVF
	45	400	20	57			WRT-6BJM20		
	45	400	25	57			WRT-6BJM25		
200	51	585	20	60	WRT-8M20	WRT-8RBM20			22/29, 55/88, SL/SLF, GT/GTF, KV/KVF, JA
	51	585	25	60		WRT-8RBM25			
	51	585	25.4	60	WRT-8L	WRT-8LRB			
	51	585	12	61			WRT-8BJM12*		22/29, 55/88, SL/SLF, GT/GTF, KV/KVF
	51	585	20	57			WRT-8BJM20		
	51	585	25	57			WRT-8BJM25		
250	51	680	25	60		WRT-10RBM25			GT/GTF, KV/KVF
	51	680	25.4	60		WRT-10RB			
	51	680	31.8	60		WRT-10LRB			
	51	680	12	61			WRT-10BJM12*		GT/GTF, KV/KVF
	51	680	25	57			WRT-10BJM25		
300	57	750	25	60		WRT-12RBM25			KV/KVF
	57	750	25.4	60		WRT-12RB			
	57	750	31.8	60		WRT-12LRB			
	57	750	12	61			WRT-12BJM12*		
	57	750	25	57			WRT-12BJM25		
	102	2000	31.8	118				WRT-312TM40	EH/EHF

* = width and bore size of integral reducing bush to enable use in castor



Head Office & Warehouse
Altrincham
Tel: 0161 928 9617
Fax: 0161 928 7824

South Coast Office & Warehouse
Bournemouth
Tel: 01202 579915
Fax: 01202 581902

Southern Office & Warehouse
Watford
Tel: 01923 249334
Fax: 01923 245513

Midlands Office & Warehouse
Burton upon Trent
Tel: 01283 845444
Fax: 01283 845666

Scottish Office & Warehouse
Bellshill
Tel: 01698 747005
Fax: 01698 747676