

**i** VJSC jacking units have an M12 x 40mm stud

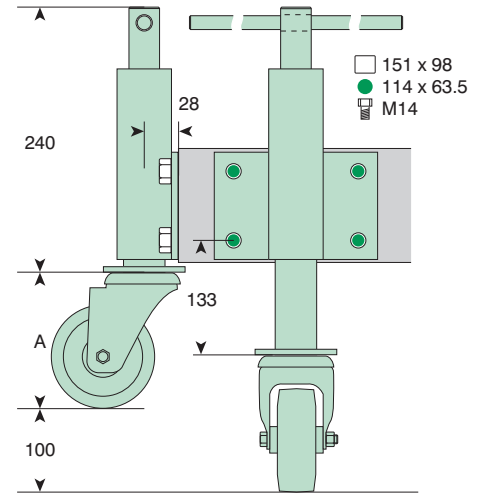
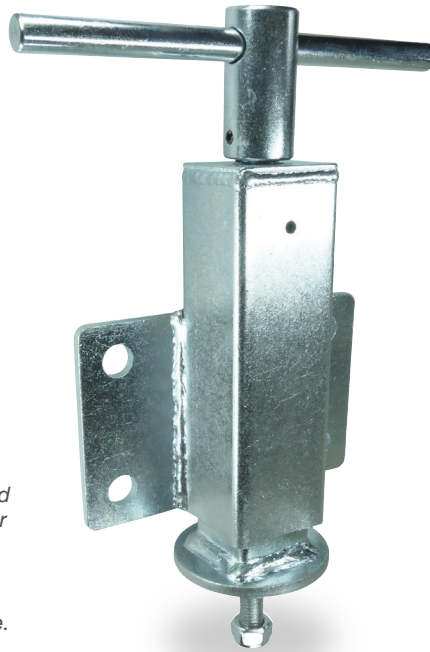
Any M12 single hole fixing castor can be fitted (some examples are shown below).

load capacity	jacking unit
250	VJSC12AS

**i** Load capacity.

Please note that load capacity is limited to 250kg per unit when adding a castor with a higher rating.

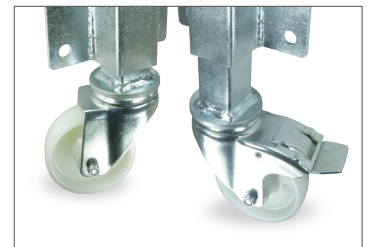
If equipment is to be fitted with 4 jacking castors which are raised in turn (i.e. not simultaneously), a wise precaution is to divide total load by 2 when determining load capacity required.



## VJSC | NY | SIDE PLATE FIXING

NYLON WHEEL

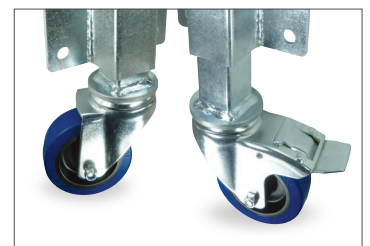
wheel diameter	tread width	A	swivel offset	load capacity	bearing type	swivel	swivel + total-stop brake
100	32	132	39	250	roller	VJSC 422 NYB	VJSC 422 NYB SWB
125	38	155	39	250	roller	VJSC 522 NYB	VJSC 522 NYB SWB



## VJSC | RN | SIDE PLATE FIXING

BLUE RUBBER TYRED WHEEL WITH NYLON CENTRE

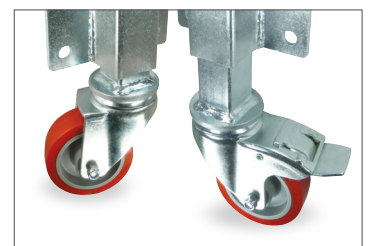
wheel diameter	tread width	A	swivel offset	load capacity	bearing type	swivel	swivel + total-stop brake
100	32	132	39	160	roller	VJSC 422 RNB	VJSC 422 RNB SWB
125	38	155	39	200	roller	VJSC 522 RNB	VJSC 522 RNB SWB



## VJSC | PN | SIDE PLATE FIXING

RED POLYURETHANE TYRED WHEEL WITH NYLON CENTRE

wheel diameter	tread width	A	swivel offset	load capacity	bearing type	swivel	swivel + total-stop brake
100	32	132	39	250	roller	VJSC 422 PNB	VJSC 422 PNB SWB
125	38	155	39	250	roller	VJSC 522 PNB	VJSC 522 PNB SWB



**i** All dimensions are in mm and all loadings are in kg unless otherwise stated